

PLEASE CHECK WWW.MOLEX.COM FOR LATEST PART INFORMATION

Part Number: [0475969923](#)
Status: **Active**
Description: LGA 1156 Back-plate Assembly for 1U Server, without Screws, Lead-free

Documents:

[Drawing \(PDF\)](#) [RoHS Certificate of Compliance \(PDF\)](#)
[Product Specification PS-47596-001 \(PDF\)](#)

General

| | |
|----------------|---------------------|
| Product Family | Processor Sockets |
| Series | 47596 |
| Component Type | Back Plate Assembly |
| Product Name | LGA1156 |

Physical

| | |
|--------------------------------|-----------------|
| Circuits (Loaded) | N/A |
| Durability (mating cycles max) | 20 |
| Material - Metal | Steel |
| Material - Plating Mating | Nickel |
| Packaging Type | Tray |
| Pitch - Mating Interface (in) | 0.000 In |
| Pitch - Mating Interface (mm) | 0.00 mm |
| Temperature Range - Operating | -25°C to +100°C |
| Termination Interface: Style | Screw or Lug |

Electrical

| | |
|-------------------------------|-----|
| Current - Maximum per Contact | N/A |
| Voltage - Maximum | N/A |

Material Info

Reference - Drawing Numbers

| | |
|-------------------------|--------------|
| Packaging Specification | PK-47596-004 |
| Product Specification | PS-47596-001 |
| Sales Drawing | SD-47596-104 |

Intel and Nehalem and relevant names are either trademarks or registered trademarks of Intel Corporation

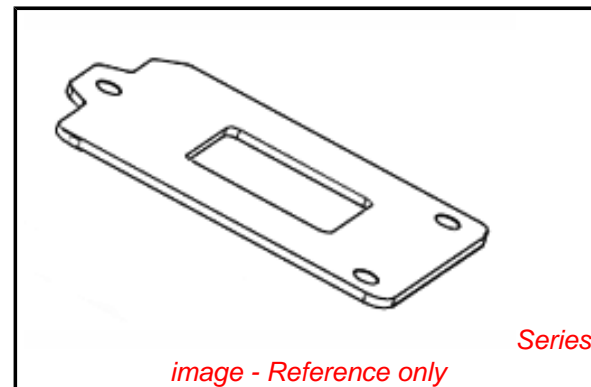


image - Reference only

Series

EU RoHS

**ELV and RoHS
Compliant**
REACH SVHC
 Not Reviewed
**Halogen-Free
Status**

China RoHS



**Need more information on product
environmental compliance?**

Email productcompliance@molex.com
 For a multiple part number RoHS Certificate of Compliance, [click here](#)

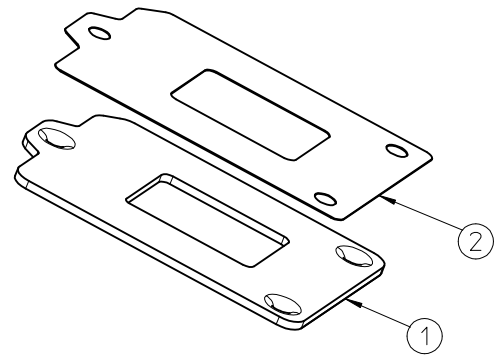
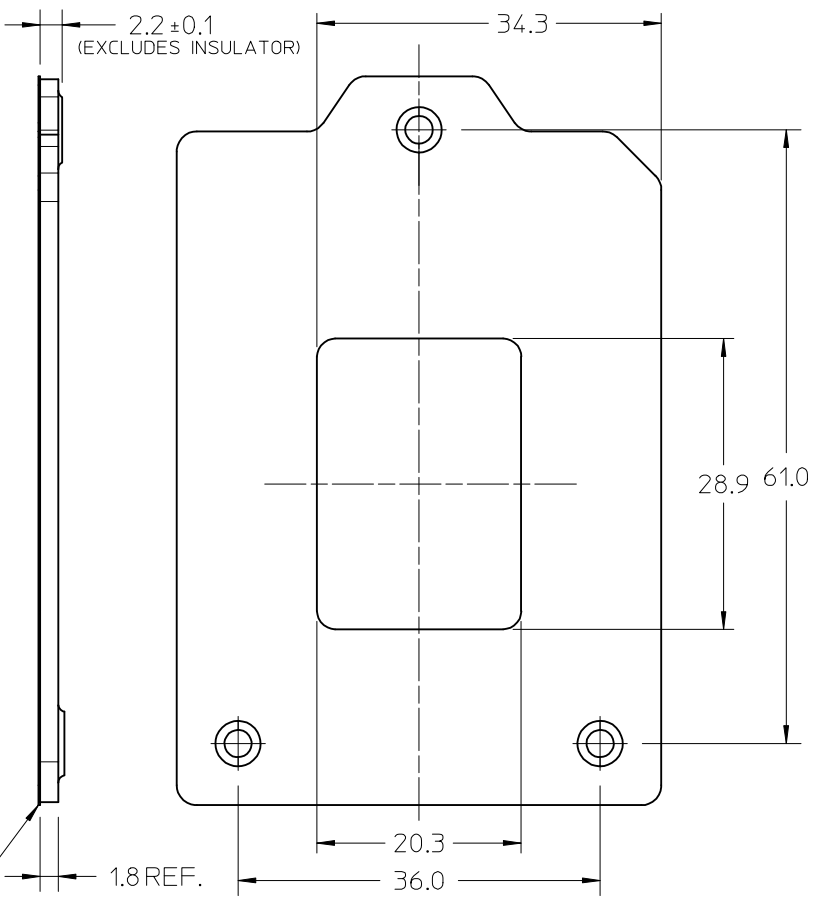
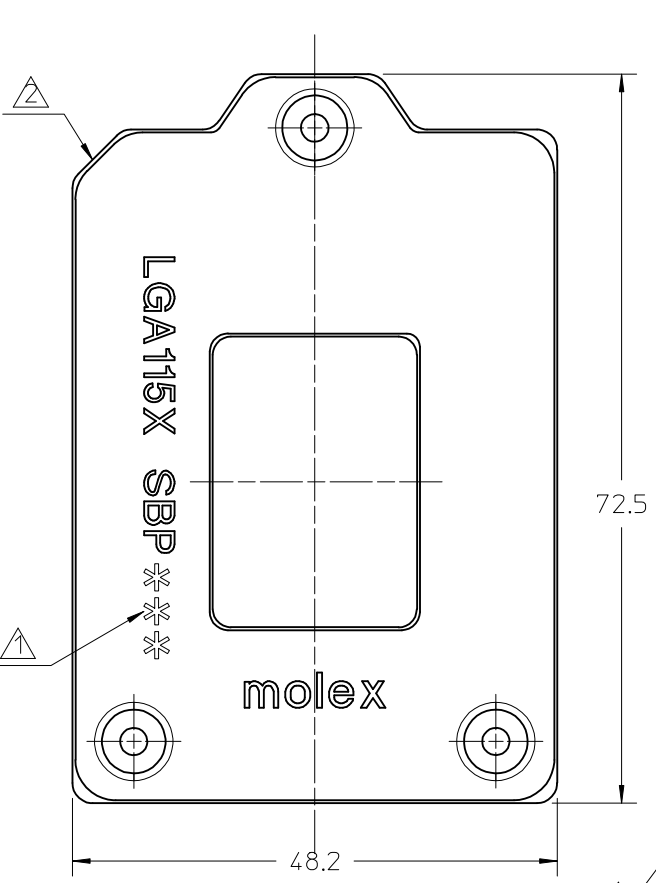
Please visit the [Contact Us](#) section for any non-product compliance questions.

Search Parts in this Series
[47596Series](#)

Mates With
 Intel* Nehalem Processor

10 9 8 7 6 5 4 3 2 1

F
E
D
C
B
A



| | |
|------------|----------------------|
| 47596-8823 | WITH HALOGEN FREE |
| 47596-9923 | WITHOUT HALOGEN FREE |
| PART NO. | DESCRIPTION |

| ITEM NO | QTY | DESCRIPTION | MATERIAL |
|---------|-----|--------------------------------|---------------------------|
| | 1 | ILM BACK PLATE ASSY | |
| ① | 1 | SOCKET BACKPLATE FOR 1U SERVER | STEEL WITH NICKEL PLATING |
| ② | 1 | SOCKET BACKPLATE INSULATOR | POLYPROPYLENE SHEET |

NOTES:

- ① DATE CODE
 - * * * WORKING DAY
 - WORKING MONTH
 - WORKING YEAR
- ② INSULATOR OVERHANGS ALL EXTERNAL EDGES.
- 3. 6-32 UNC MIN. 2MM THREAD DEPTH
- 4. THE PART IS COMPLIANT TO RoHS DIRECTIVE 2002/95/EC AND ELV 2000/53/EC.

| | | |
|--------------------|----------------|---------------------|
| ENTER DESCRIPTION | 2009/09/25 | 2009/10/12 |
| EC NO: SH2010-0085 | DRWN: JZHANG11 | CH'KD: APPR: WFDENG |
| A | REV | |

| | |
|--|-------------------------|
| QUALITY SYMBOLS | $F_A=0$ |
| | $F_B=0$ |
| | $F_C=0$ |
| | ANGULAR $\pm 1/2^\circ$ |
| DRAFT WHERE APPLICABLE MUST REMAIN WITHIN DIMENSIONS | |

| | |
|---------------------------------------|-----------|
| GENERAL TOLERANCES (UNLESS SPECIFIED) | |
| mm | INCH |
| 4 PLACES \pm --- | \pm --- |
| 3 PLACES \pm --- | \pm --- |
| 2 PLACES ± 0.10 | \pm --- |
| 1 PLACE ± 0.15 | \pm --- |

| | | | |
|---|--------------|---|------------------------|
| DIMENSION STYLE | SCALE | DESIGN UNITS | THIRD ANGLE PROJECTION |
| MM ONLY | 2:1 | METRIC | |
| DRAWN BY | DATE | TITLE | |
| YQSUN | 2008/12/15 | SOCKET 115X BACK PLATE ASSEMBLY FOR 1U SERVER | |
| CHECKED BY | DATE | | |
| APPROVED BY | DATE | | |
| MATERIAL NO. | DOCUMENT NO. | SHEET NO. | |
| SEE TABLE | SD-47596-104 | 1 OF 1 | |
| THIS DRAWING CONTAINS INFORMATION THAT IS PROPRIETARY TO MOLEX INCORPORATED AND SHOULD NOT BE USED WITHOUT WRITTEN PERMISSION | | | |

9 8 7 6 5 4 3 2 1